

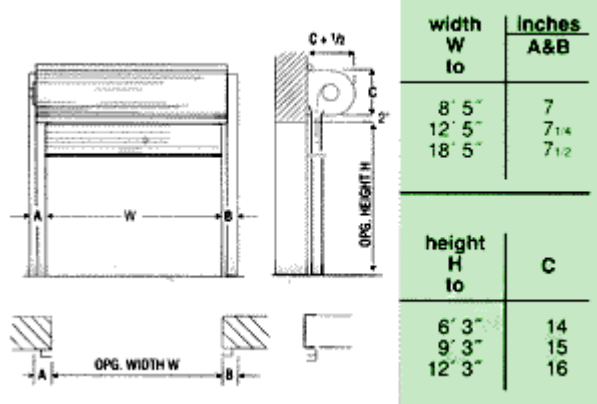


Products

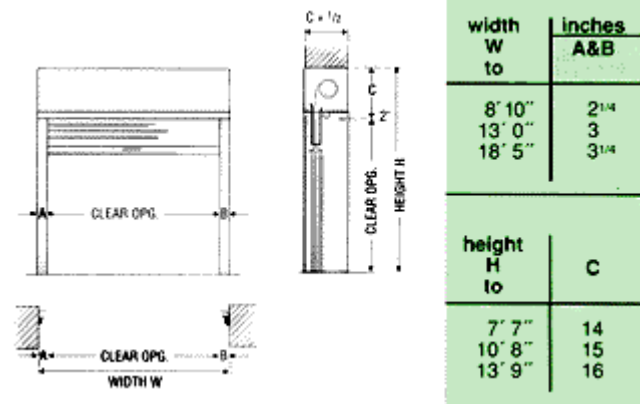
Typical Service Door Mounting

Product List

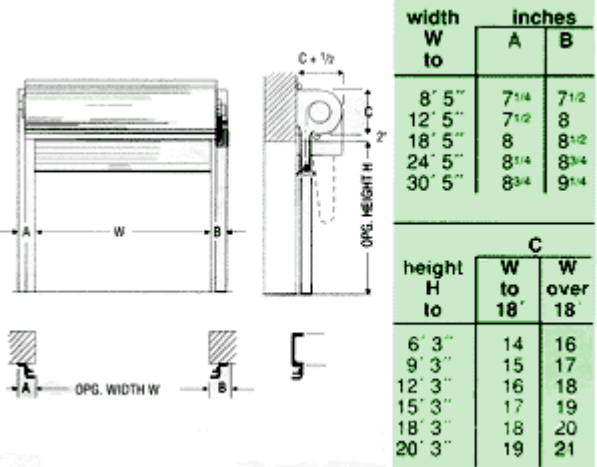
Push-Up Face of Wall



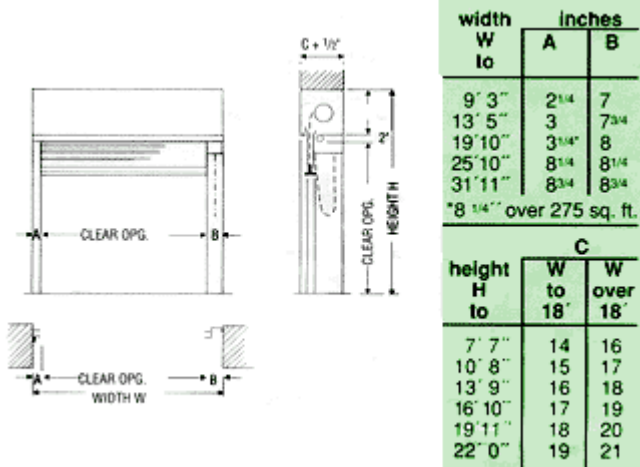
Push-Up Between Jams



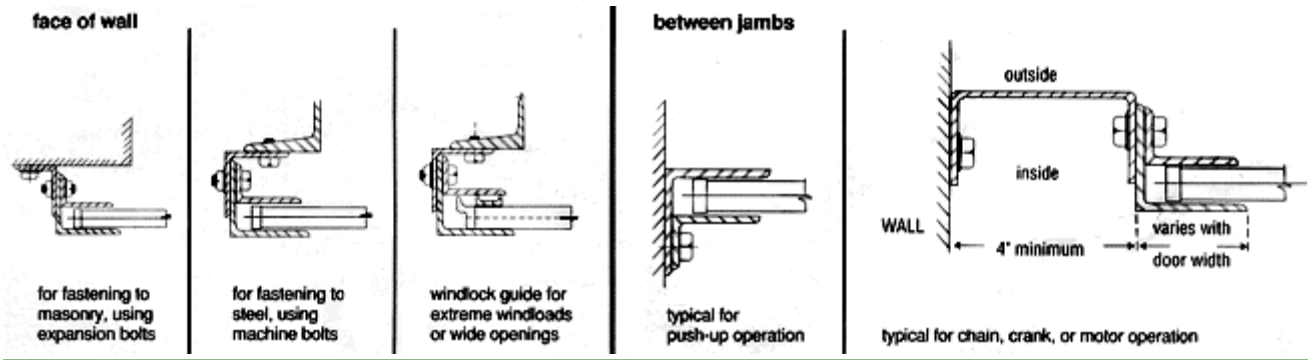
Chain Face of Wall



Chain Between Jams

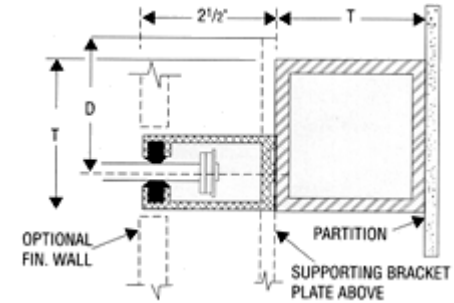


Typical Guide Assemblies- for Standard Service Doors (for Air-Check doors, guide weatherstrip not shown)

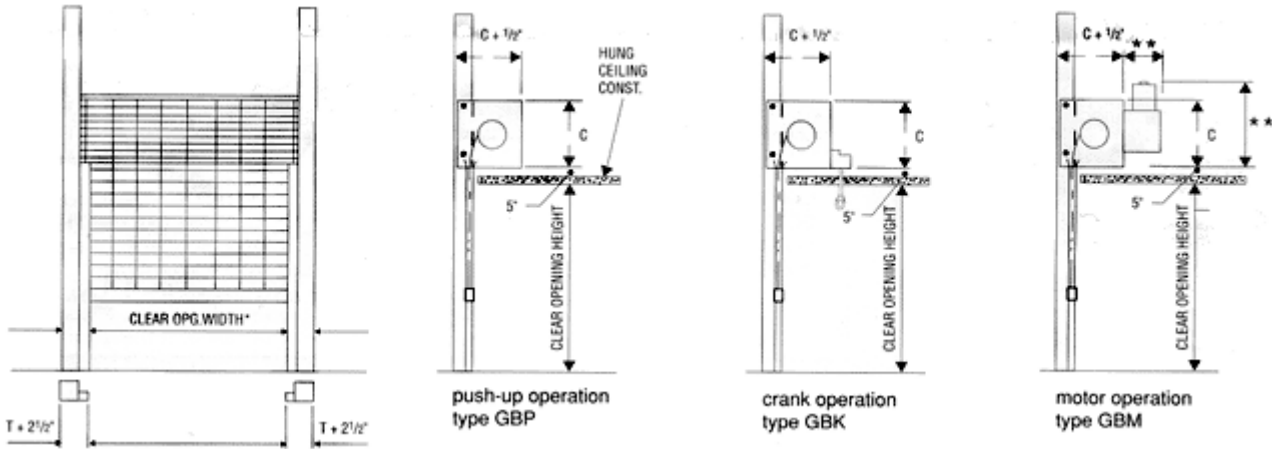


INDEPENDENT TUBE MOUNTING

Self-supporting structural steel tubes are furnished with grilles when so specified, to permit installation independent of adjacent construction. This design is particularly suitable to enclosed mall requirements. Tubes are anchored to floor slab, and to steel beams or trusses above.



Tube and Guide Detail



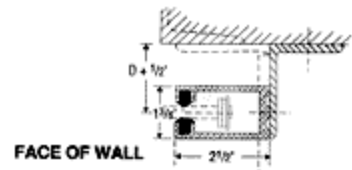
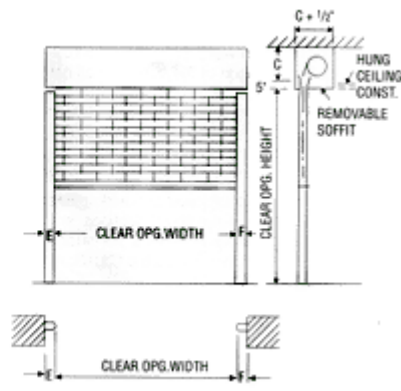
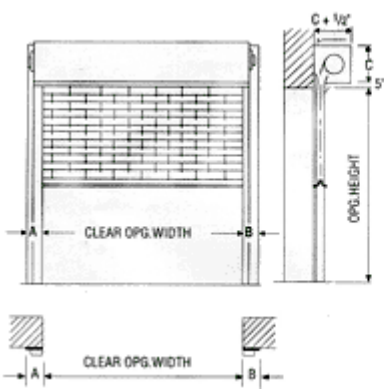
operation	size limit	A	B	E	F	T	clear opg. height—to	C	D
push-up	*	6	5	2 1/2	2 1/2	3	3'1"	14"	2"
crank	to 30 ft. wide	6	6 3/4	6 3/4	6 1/2	3	7'2"	15"	2"
motor	to 30 ft. wide	7 1/2	**	6 3/4	**	3	9'6"	16"	2 1/2"
	to 45 ft. wide	9 1/2	**	8 3/4	**	4	12'0"	17"	3"
							14'7"	18"	3"

* Aluminum grilles 16 ft. wide and 10 ft. high. Steel grilles 10ft. wide and 10 ft. high.

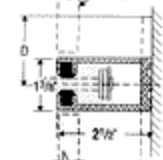
** Refer to page 12 for operator mounting and clearances. Note that VF mounting (vertical front-of-coil) is preferable.

Face of Wall Mountings

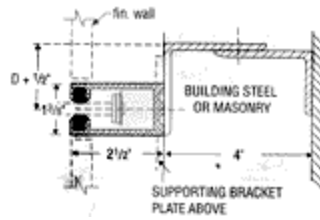
Between Jamb Mountings



FACE OF WALL
SUPPORTING BRACKET PLATE ABOVE



BETWEEN JAMBS
SUPPORTING BRACKET PLATE ABOVE



[Products](#)

[Services](#)

[Clients](#)

[Contact Us](#)

[Home](#)



15-20 129th Street, College Point, NY 11356
 Phone: 718-939-9700 or 212-233-9700 Fax: 718-353-0724