

2

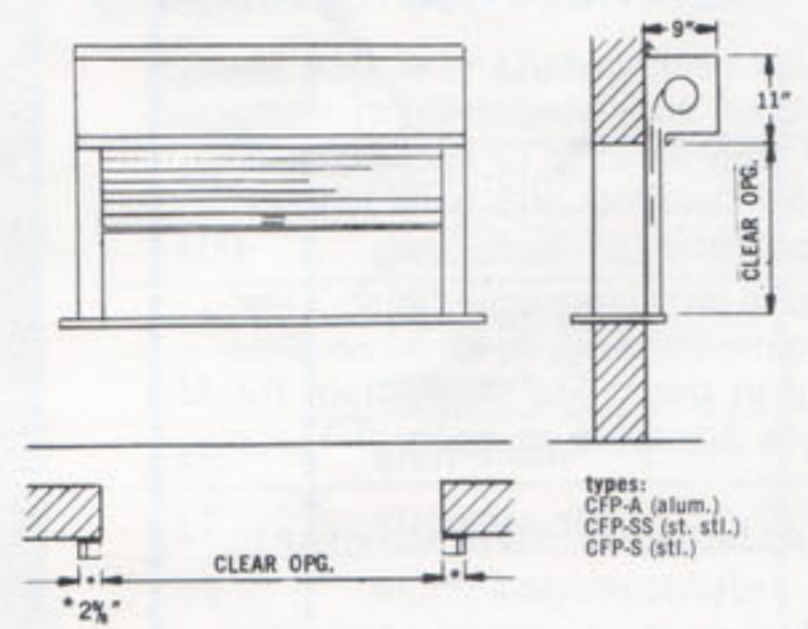
ts technical support

CITY GATES™
USA
800.361.7029

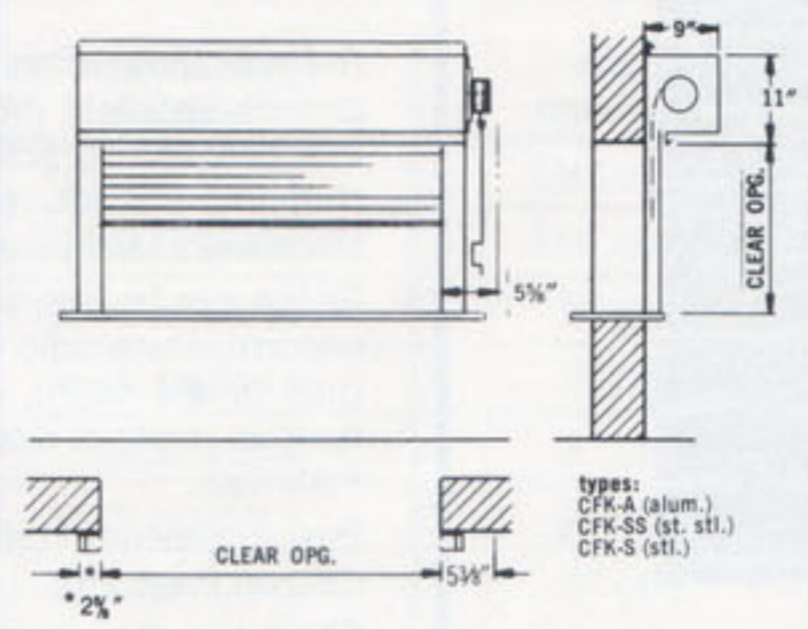
COUNTER SHUTTERS

08330/APT
BuyLine 0876

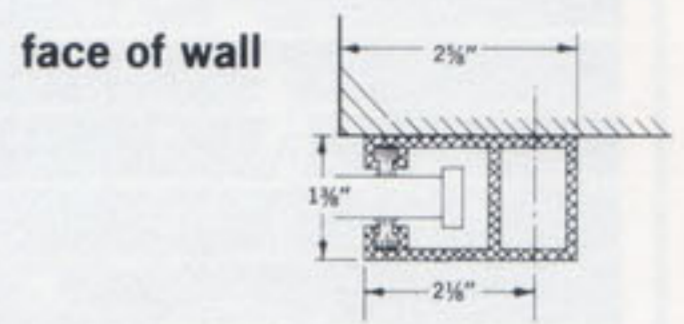
PUSH-UP FACE OF WALL type CFP



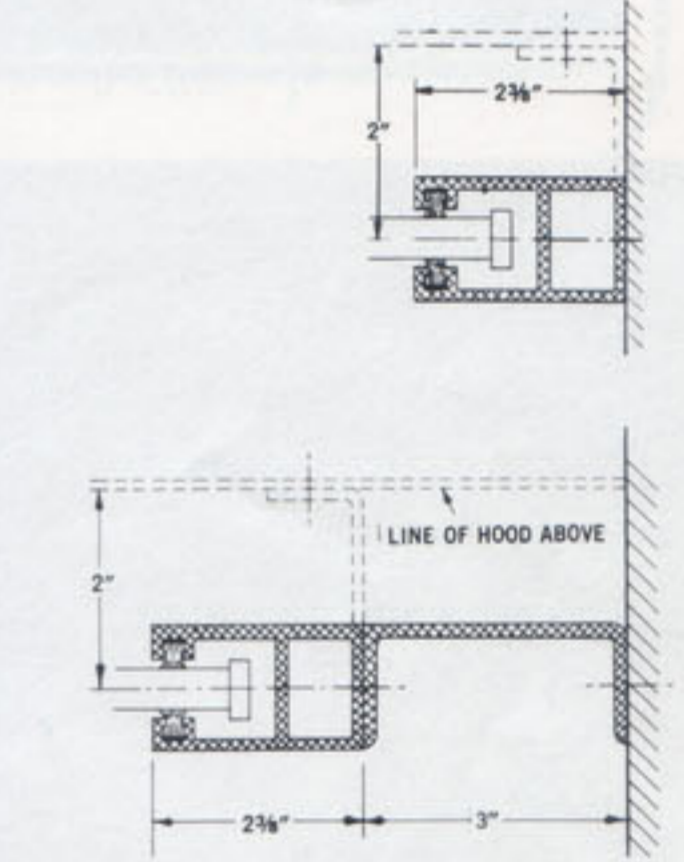
CRANK FACE OF WALL type CFK



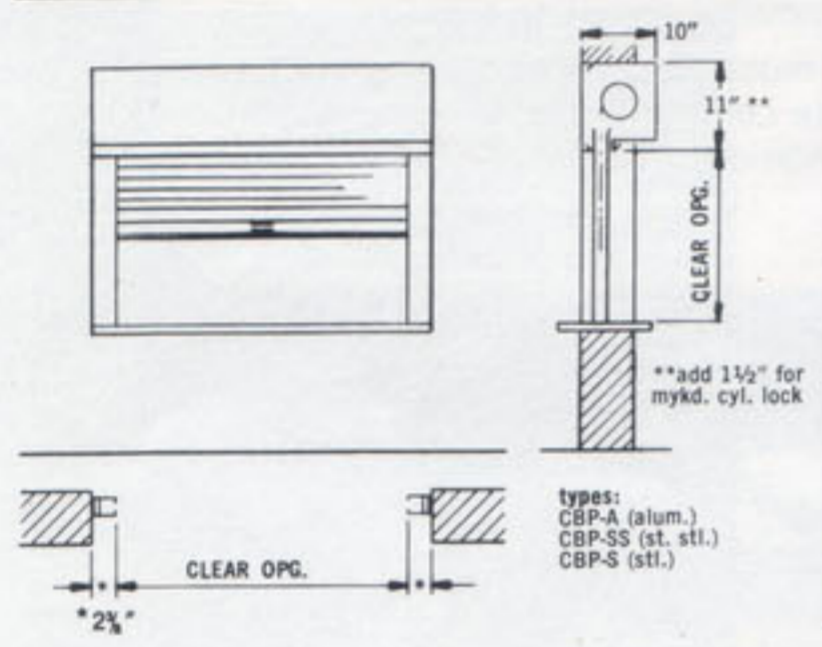
guide details



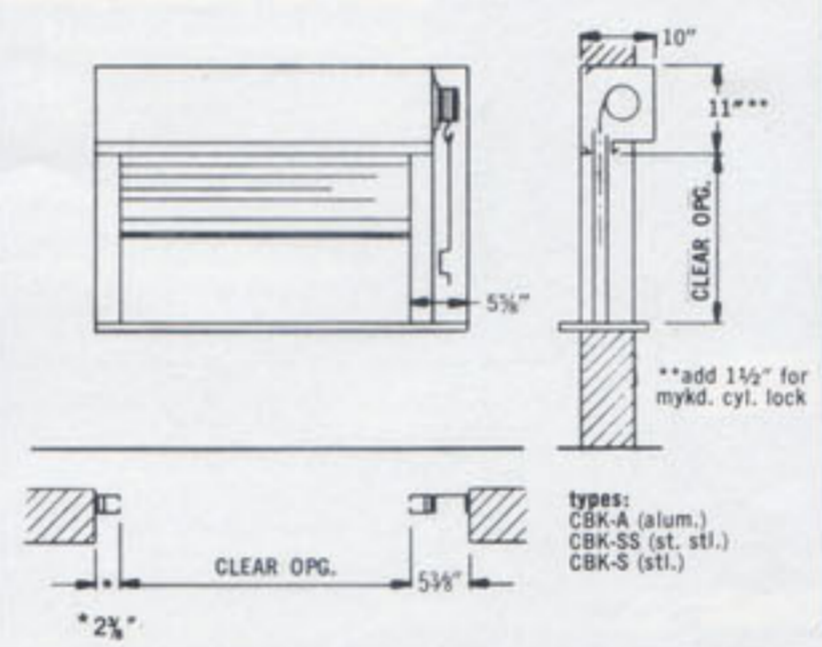
between jambs



PUSH-UP BETWEEN JAMBS type CBP

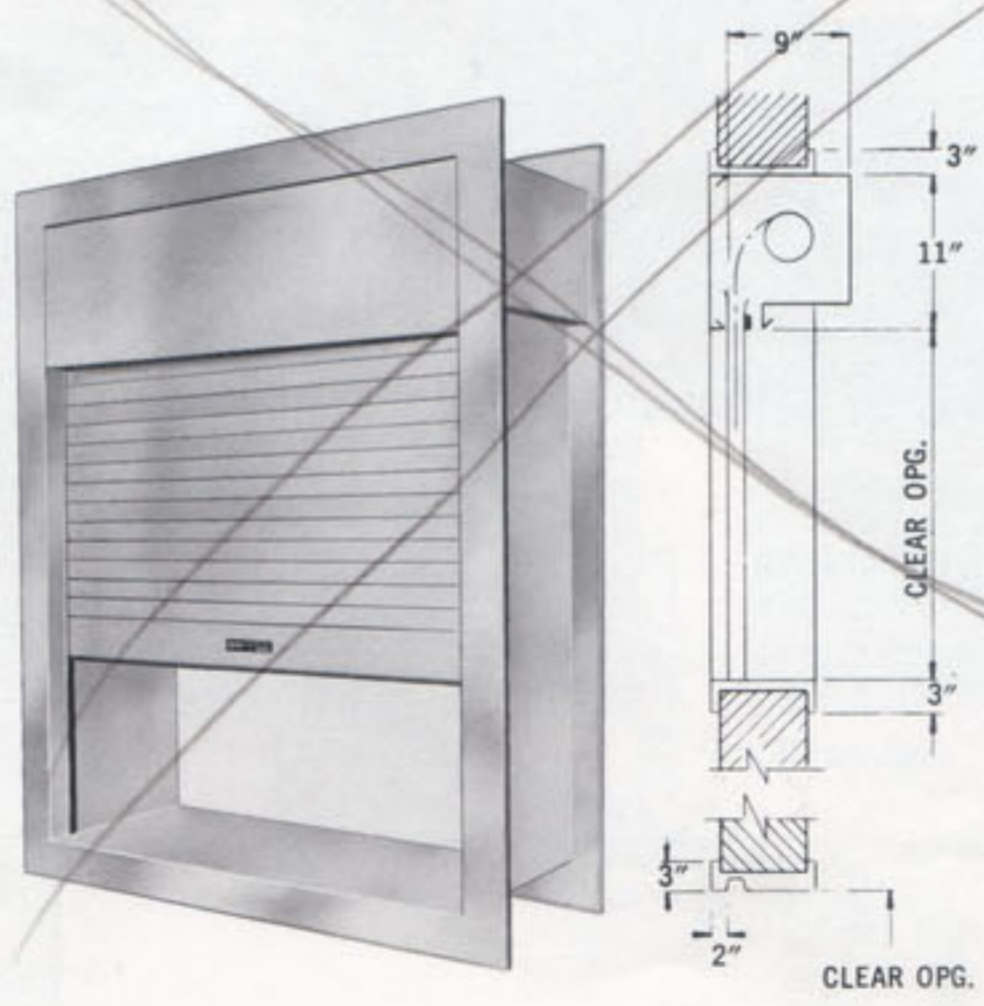


CRANK BETWEEN JAMBS type CBK



INTEGRAL FRAME SHUTTER ts technical support

Type CIP-A: st. stl. frame and counter, aluminum curtain
Type CIP-SS: st. stl. frame and counter, st. stl. curtain
Type CIP-S: steel frame, st. stl. counter, galv. stl. curtain



The **Apton Integral Frame Shutter** is a custom, pre-assembled unit complete with frame, counter, and rolling shutter. Units are available in all sizes up to 14 ft. in width and 5 ft. in height, with push-up operation. When the counter is to be furnished by others, a three-sided unit is provided.

The standard unit is designed to be built in during wall construction. For existing openings, specify split-frame construction, at additional cost.

SPECIFICATIONS

General: Furnish Apton Integral Frame Shutter unit(s) as manufactured by Apton Door—Div. of the Union Corp., Old Forge, Pa. 18518. Material and workmanship to be guaranteed for one year.

Frames: Head and jambs of #16 Gauge and hood of #20 Gauge (stainless steel, #4 finish) (primed steel). Counter to be #14 Gauge stainless steel. Jamb sections formed to retain curtain.

Counterbalance assembly: Helical torsion springs mounted on continuous torsion rod, housed in steel pipe shaft, and supported by steel brackets. To be contained within hood enclosure at the head.

Curtain: Interlocking slats of (.050" anodized aluminum) (#22 Gauge stainless steel, #4 finish) (#22 Gauge galvanized steel). Bottom bar on curtain with slide locks and vinyl astragal.